

# NEMA17-04

## Bipolar Stepper Motor



This stepper motor can be optimally used for tasks in the areas of Automation, CNC (f. e. engraving lasers, 3D printers, milling machines, etc.), or robotic.

### KEY FEATURES

Shaft diameter	Ø 4.5 x 22 mm (single shaft)
Specification	42SHD0217-24B
Connection	6-pole connector (JST), 4 pins used
Steps per revolution	200
Dimensions	42 x 42 x 42 mm
Items delivered	NEMA17-04 Motor

### PERFORMANCE CHARACTERISTICS

Holding Torque	0.45 Nm
Rated Voltage	3.3 V
Rated Current	1.5 A
Step Angle	1.8 °
Amount of Phases	2
Phase Resistance	2.2 Ω
Phase inductivity	5 mH
Isolation resistance	Min. 100MΩ at 500 V DC
Isolation class	B (130°)
Rotational inertia	57 g·cm <sup>2</sup>
Detent Torque	0,015 Nm
Operating Temperature	-10°C - 50°C

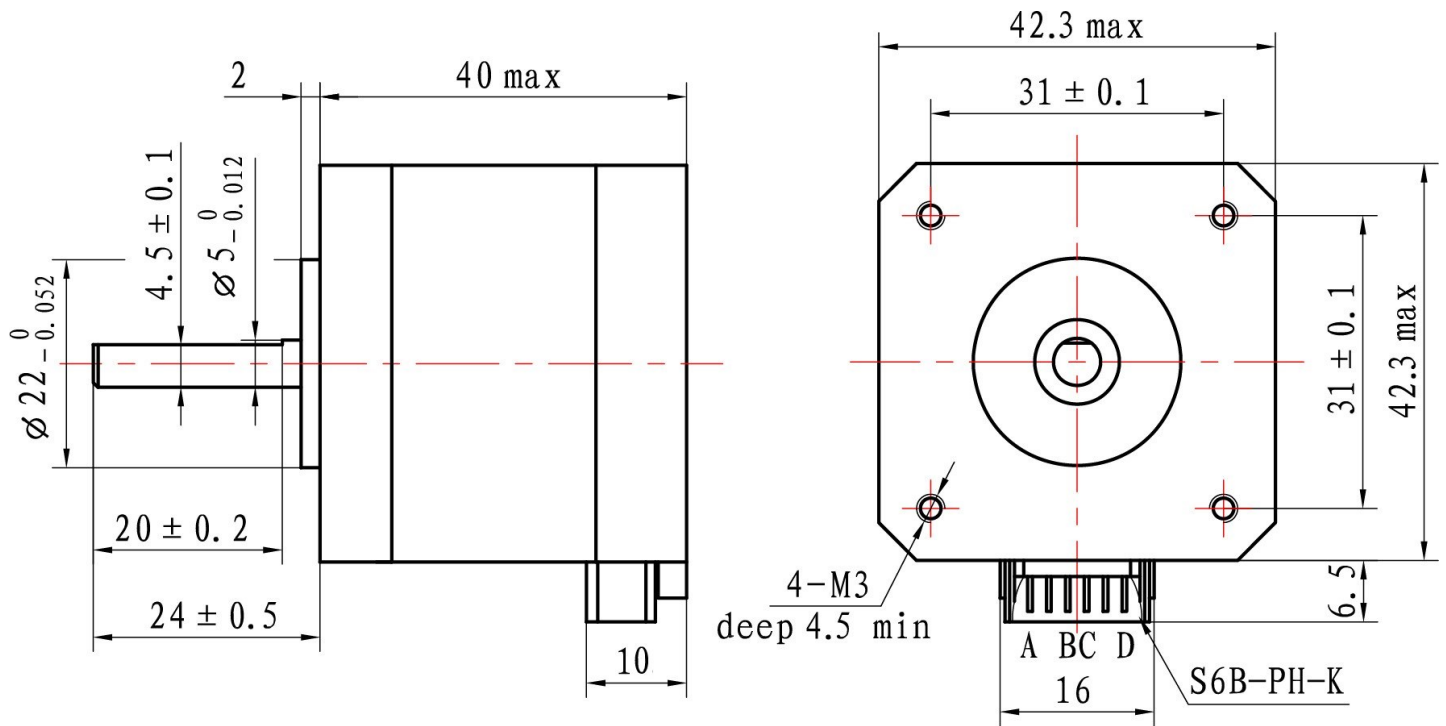
### FURTHER DETAILS

Article No.	NEMA17-04
EAN	4250236818771
Customs Tariff No.	8501109990

# NEMA17-04

Bipolar Stepper Motor

## DRAWING



## WIRING

